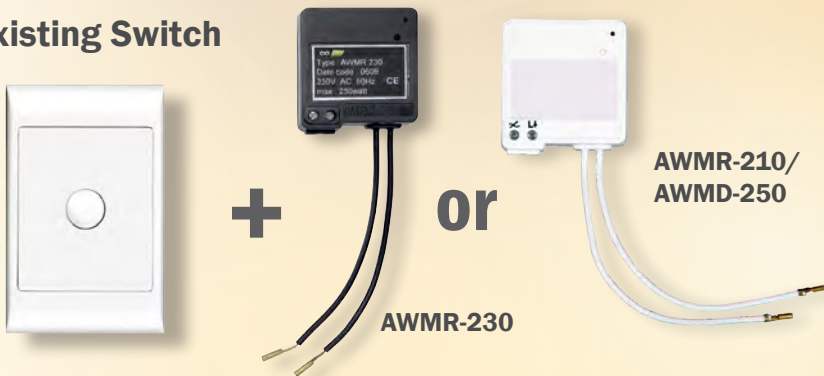


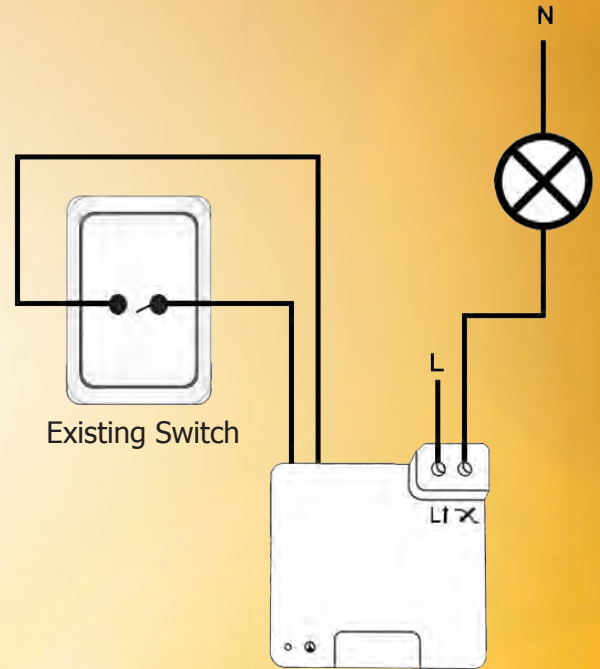
Receivers:

Existing Switch



AWMR-230/AWMR-210/AWMD-250 - Mini Build-in Receivers

- Install this receiver behind a single wall switch to control your lights wirelessly with any COCO transmitter
- The original wall switch can still be used manually
- AWMR-230 is On/Off 230 Watts*
- AWMR-210 is a dimmer 210 Watts*
- *Incandescent lights
- AWMD-250 is a dimmer 3 to 24W LED & CFL 230VAC
- 6 memory addresses (max. 6 transmitters per receiver)

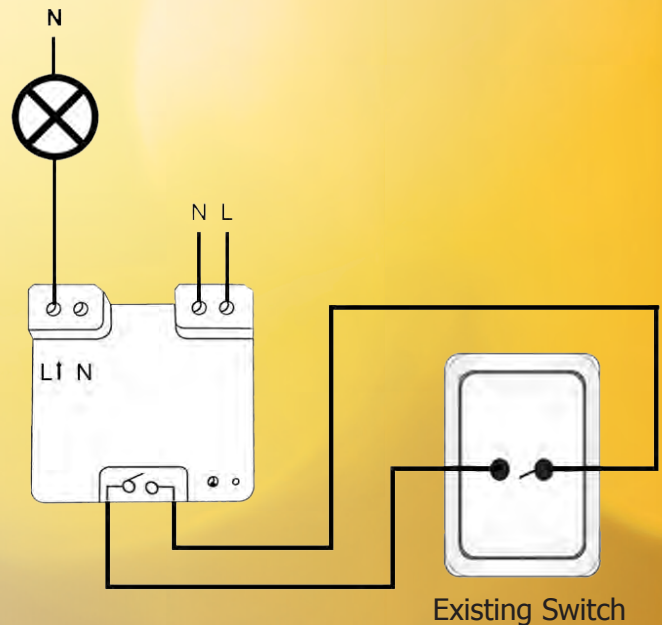


Existing Switch



AWMR-300 - Mini Build-in Receiver

- Install this receiver behind a single wall switch to control your lights wirelessly with any COCO transmitter
- AWMR-300 is On/Off (Relay) 300w* 120w LED
*Incandescent lights
- The original wall switch can still be used manually



- Neutral is required
- For larger lighting loads an external relay may be used

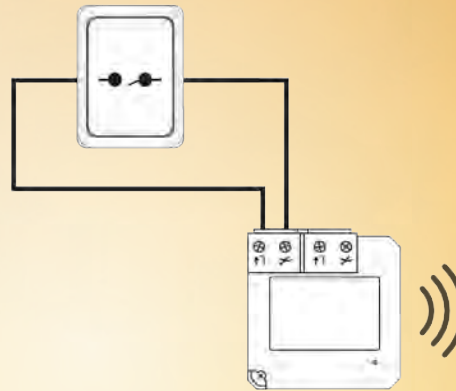
The above is for marketing purposes only, please refer to the instruction manual for the complete installation instructions.



Transmitters:



+



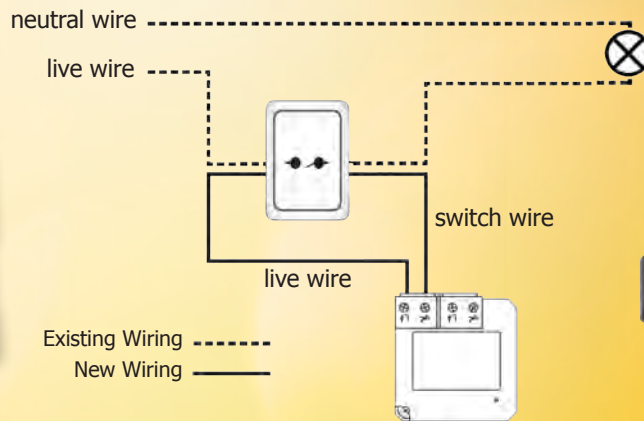
AWMR-230, 210, 300
AWMD-250

ACM-1000

or



+



- Transmitter is battery powered
- Requires existing circuit and lighting load to operate

AWMR-230, 210, 300
AWMD-250

ACM-1000

or



AWST-8800

or



AYCT-102



ATMT-502



AKCT-510

AYCT-102
Transmitter - Handheld remote
(16 channel)

ATMT-502
Transmitter remote
control & programmable
timer.

AKCT-510
Key Chain remote transmitter

The above is for marketing purposes only, please refer to the instruction manual for the complete installation instructions.